

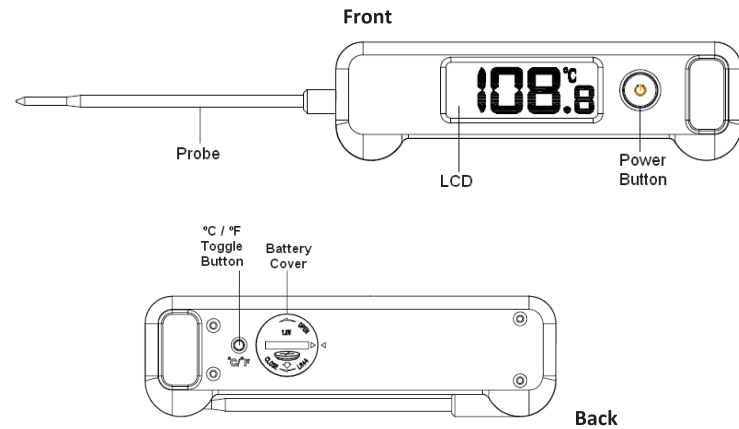
DT-05 , EM2246-LN15058说明书

front size:149*159mm



DT-05

Digital Probe Thermometer



Thank you for selecting Maverick's DT-05 instant read thermometer for your cooking needs. This unit features a fold out probe with thin tip for faster and more accurate temperature. Enjoy perfectly cooked food, each and every time!

Before First Use

- There is a static cling label over the LCD display, please remove before use.
- Your unit comes with a button cell battery (LR 44 1.5 V). There is a clear plastic pull tab – pull out and the unit is ready to use.
- Clean the stainless steel tip with warm soapy water. Rinse and let dry.
- The unit should NOT be submerged in water or put in a dishwasher.
- Do not leave unit in oven or grill.
- Read all instructions

Getting Started

- Unfold probe completely into the open and locked position
- On the back of the unit is a button to turn on the power.
- There is also a button that will change the unit from Fahrenheit to Celsius.

back size:149*159mm

Operating Range

- Temperature sensor is in the tip of the probe. Insert into meat or food up to 1" for an accurate reading.
- The unit will take temperature range from -4F to 392F.
- If below or above these temperatures, it will show LLL or HHH

Care of Your Thermometer

- Do not place the unit in the dishwasher.
- Do not immerse in water. To clean the probe, use a warm soapy cloth.
- Do not leave exposed to high heat or low temperatures.

Auto Shut-Off

- If not in use, and if the power button is not pressed directly, the thermometer will turn off in approximately 1 hour.

Replacing Battery

- On the back of the unit there is a battery door. Slide in the direction of the arrow to open. The battery is easily accessible for removal. Replace the battery according to the polarity markings and close the door. Turn on the unit to test new battery.

MAVERICK LIMITED 90 DAY WARRANTY

Maverick Industries Inc. warrants this product to be free of defects in parts, materials and workmanship for a period of 90 days, from date of purchase. Should any repairs or servicing under this warranty be required, contact Maverick Customer Service by mail or phone for instructions on how to pack and ship the product to Maverick's National Service Center located as follows:

Maverick Customer Service
94 Mayfield Ave.
Edison NJ 08837

Telephone: (732) 417-9666

Hours: Weekdays 8:30 AM- 4:30 PM

This warranty is VOID if instructions for use are not followed; for accidental damage; for commercial use; for damage incurred while in transit; or if the product has been tampered with.

This warranty gives you specific legal rights and you may also have other rights which vary from state to state.

www.maverickhousewares.com